



GRADE -8

QUESTION BANK

SUB: MATHEMATICS

CH- 4-

Understanding Quadrilaterals

- 1) What is the name of regular polygon with 4 sides?
a. Equilateral triangle b. square c. rectangle d. kite
2. How many sides a regular polygon will have if its exterior angles are of 30° ?
a. 12 b. 10 c. 3 d. 5
3. What is the name of regular polygon of 8 sides?
a. Square b. pentagon c. hexagon d. octagon
4. How many diagonals does a quadrilateral have?
a. 1 b. 2 c. 3 d. 4
- 5) In a parallelogram opposite angles are?
a. Equal b. half c. doubled. d. none of these
- 6) In a rectangle all angles are?
a. 45° b. 90° c. 100° d. 180°
- 7). In a rectangle both the diagonals are?
a. Equal b. unequal c. sometimes equal, sometimes unequal d. none of these

FILL IN THE BLANKS :

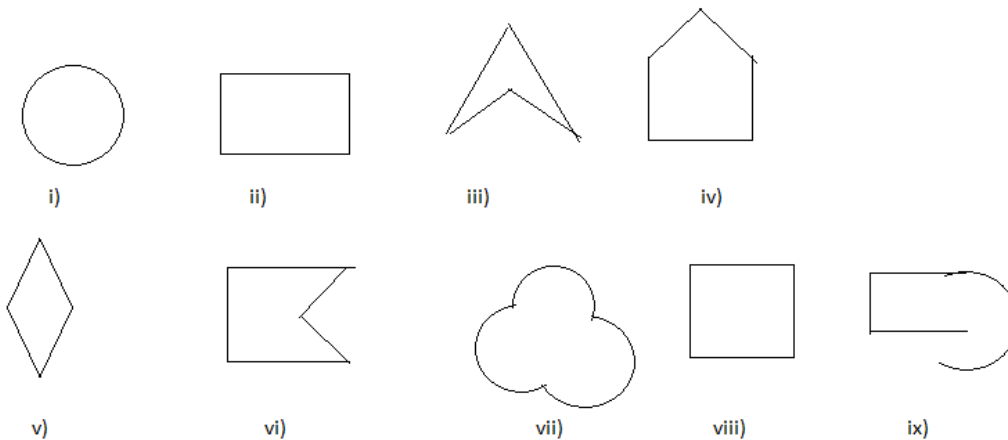
- i). A curve which does not cut itself is called a/an.....
- ii) A closed curve is called, if it does not pass through one point more than once.
- iii) A pentagon has..... interior angles .
- iv) A parallelogram in which all sides are equal is called

Write **TRUE/FALSE** :

- i) The sum of all angles of a quadrilateral is 180° .
- ii) A parallelogram in which all sides are equal is called square.
- iii) Every rectangle is a parallelogram.
- iv) Every parallelogram is a rectangle.

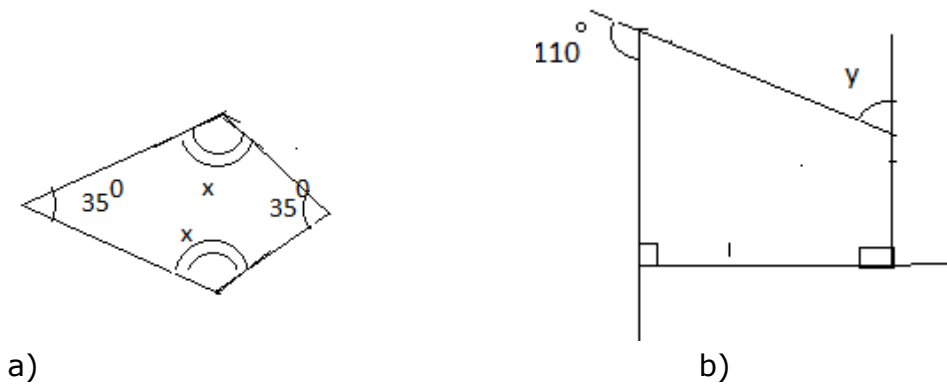
ANSWER THE FOLLOWING QUESTIONS

1) Observe the following pattern and classify each of them on the basis of



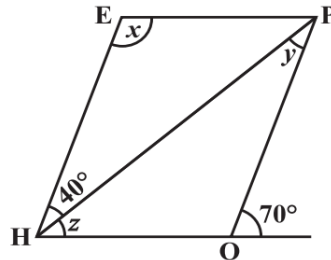
- a) open curve
- b) simple closed curve
- c) polygon
- d) convex polygon
- e) concave polygon

2) Find the values of the unknown variable.

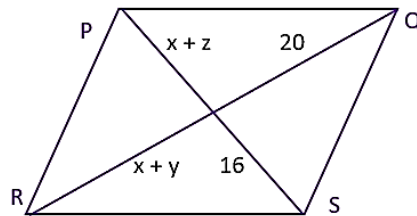


3) How many sides does a regular polygon have if the measure of its exterior angle is 36° ?

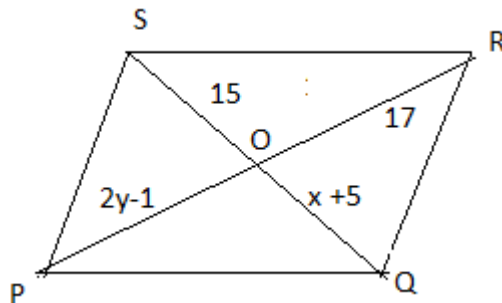
4) ABCD is a parallelogram. Find the angle if x , y and z .



5) In a parallelogram PQRS find the value of x and y .



6) In parallelogram PQRS, find the value of x and y



7) In a parallelogram PQRS, $\angle P : \angle Q = 1 : 2$ Then find $\angle Q = ?$

8) ABCD is a trapezium with $AB \parallel CD$. If $\angle A = 106^\circ$ and $\angle B = 122^\circ$. Find the measures of $\angle C$ and $\angle D$.

9) The angles of a quadrilateral are in the following ratio. Find the measure of the four angles.

a) 3:5:7:9

b) 2:2:3:5

10) Find the number of a regular polygons if each interior angle is:

$$156^{\circ}$$

11) One angle of a parallelogram is 30° more than its adjacent angles. How much each angle measure?

12) Draw a rhombus with one of its angles equal to 80° and its sides equal to 6.5 cm.